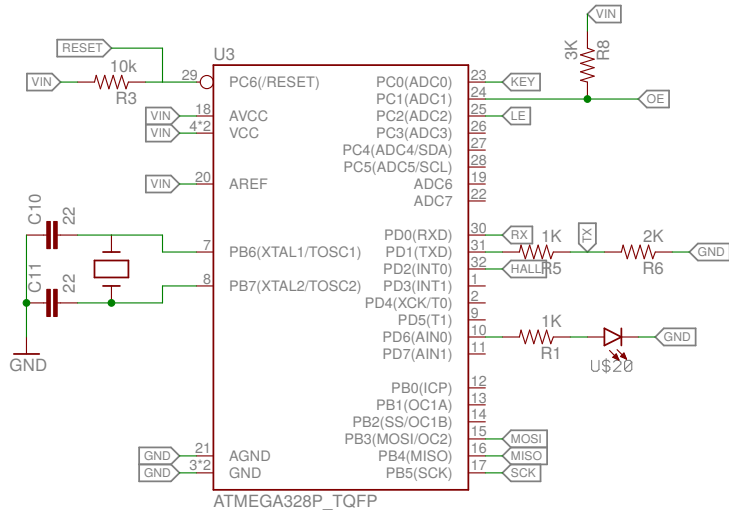
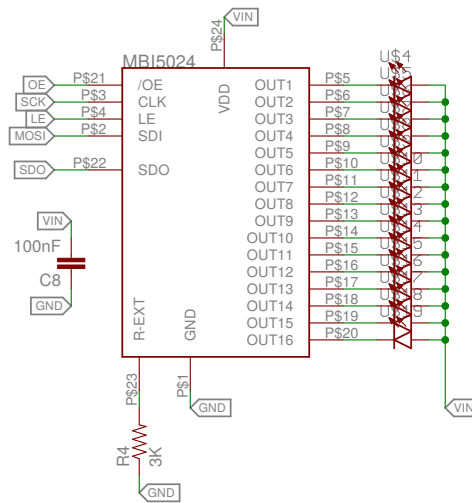


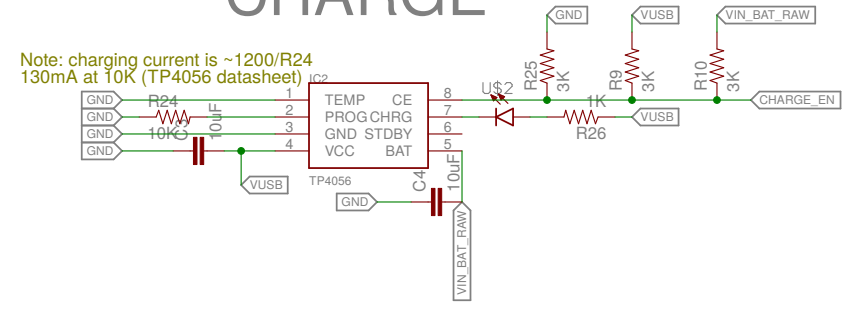
CONTROLLER



LEDs



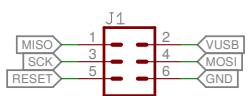
CHARGE



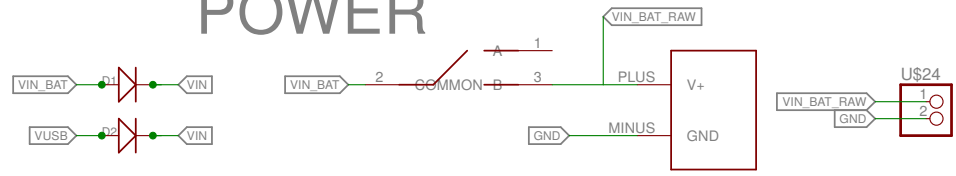
MOTOR FIXATIONS



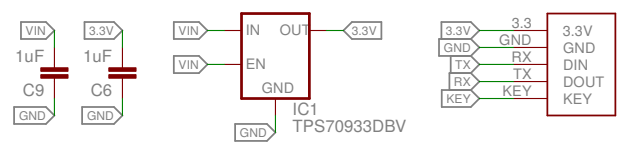
PROGRAMMER



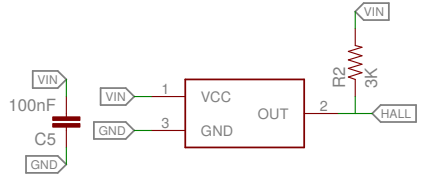
POWER



BLUETOOTH



HALL SENSOR



DECOUPLING

